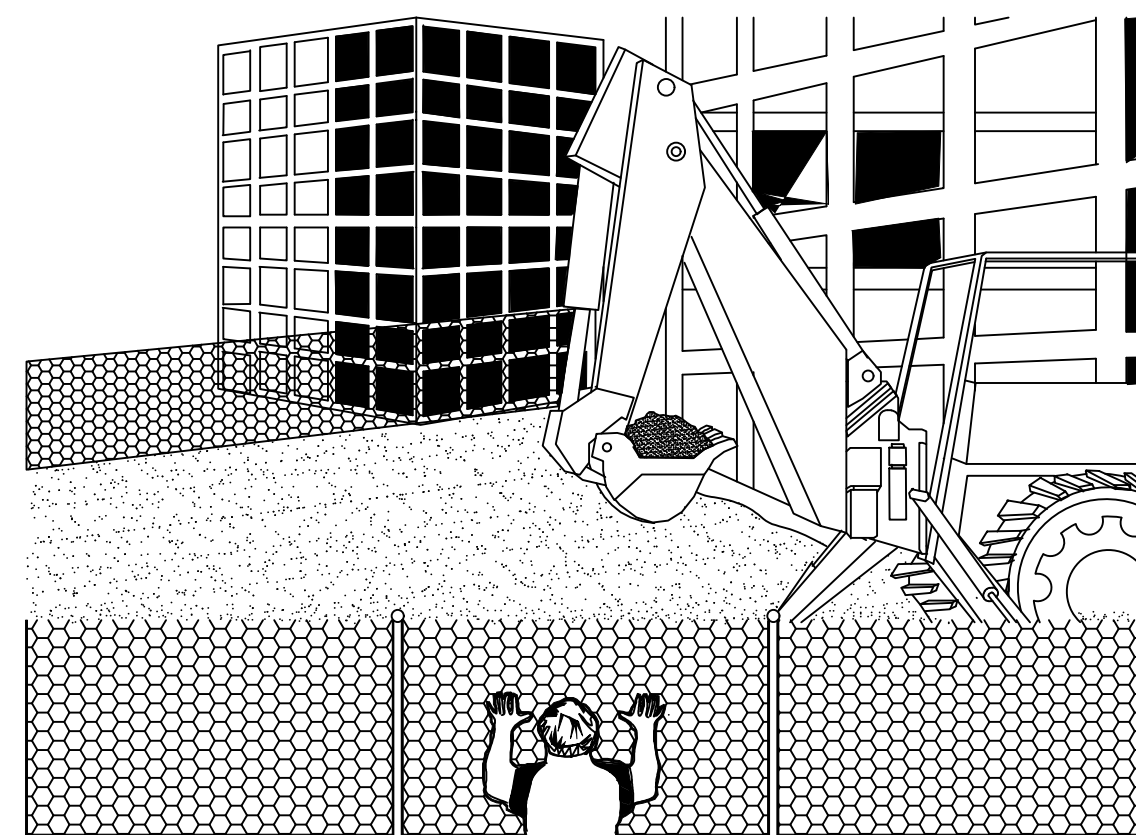


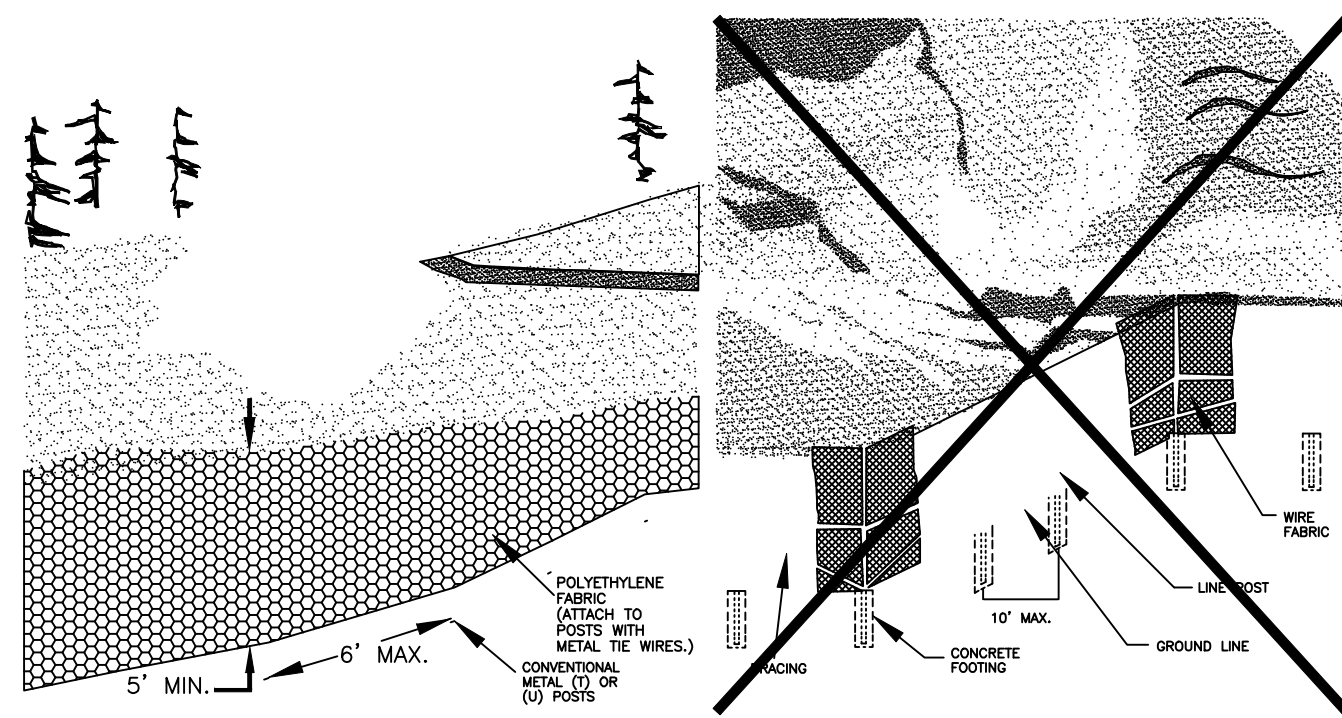


SAFETY FENCE

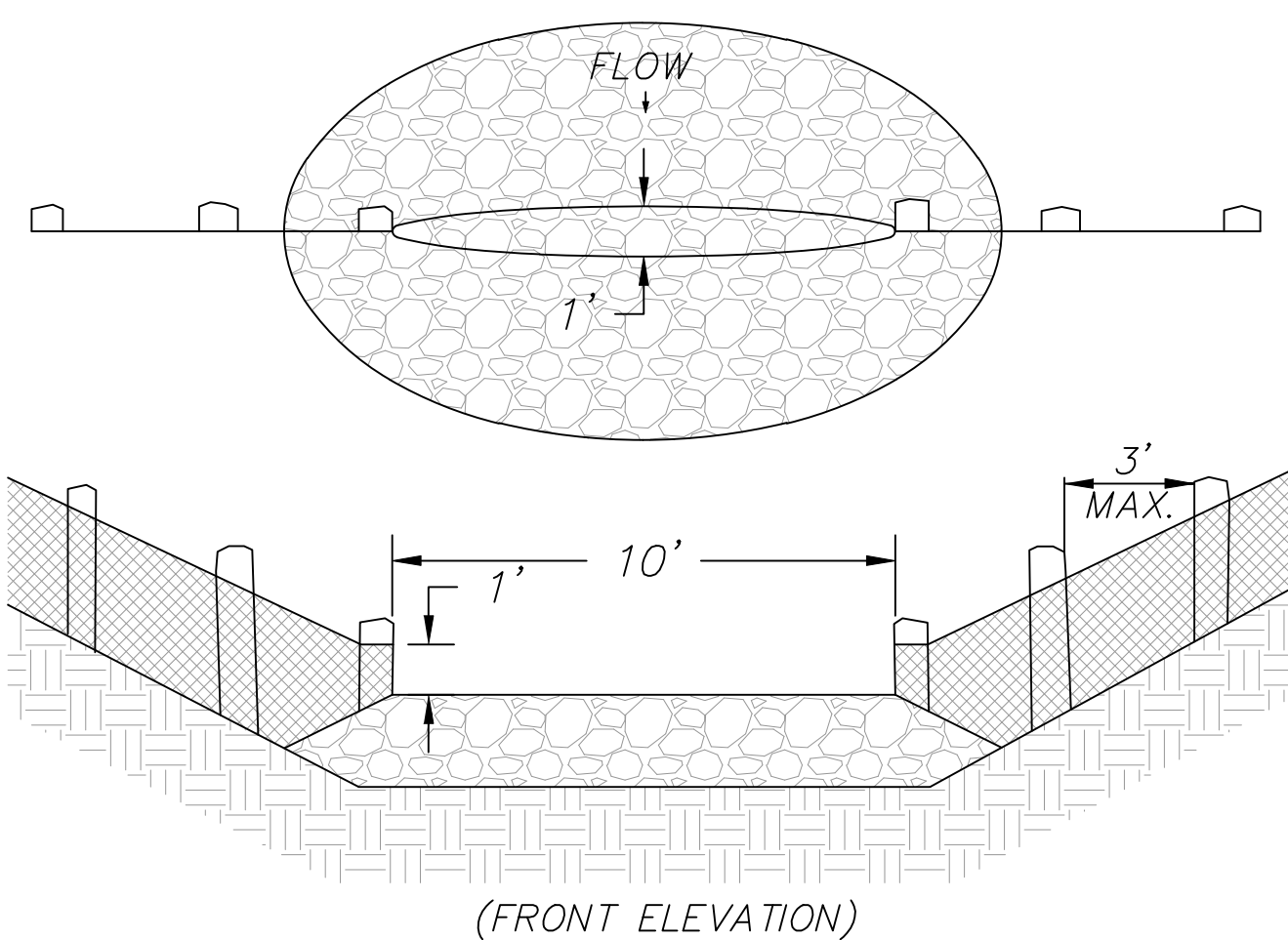
SAF SAFETY FENCE NO SCALE 3.01-1



PERSPECTIVE VIEW



(PERSPECTIVE VIEW)

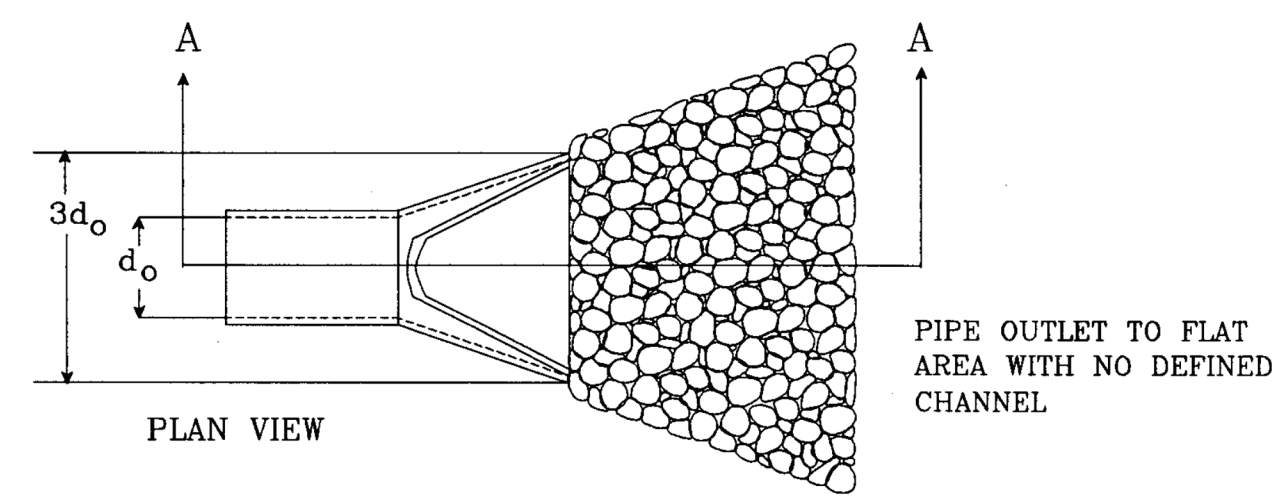


NOTE: SILT FENCE BREAK TO BE PLACED AT LOW IN FENCE LINE.

SILT FENCE BREAK DETAIL
NO SCALE

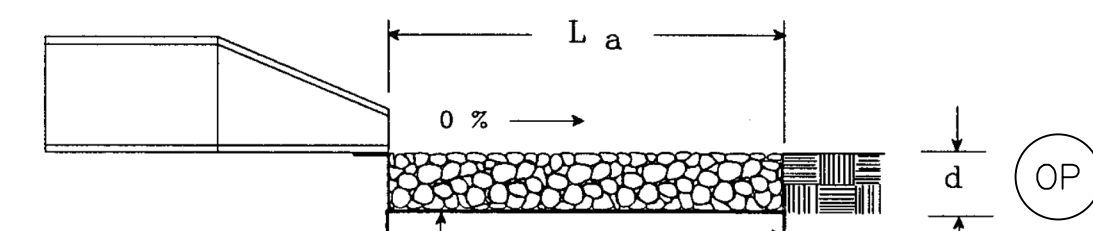
(SFB)

PIPE OUTLET CONDITIONS

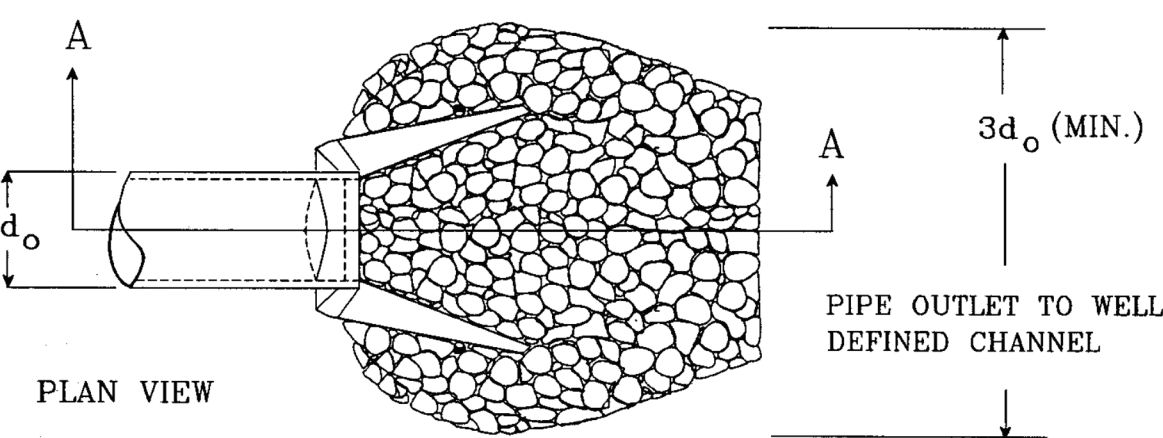


PLAN VIEW

PIPE OUTLET TO FLAT AREA WITH NO DEFINED CHANNEL

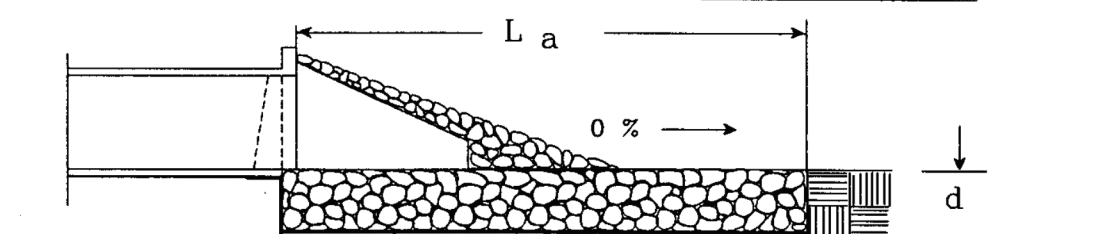


SECTION A-A FILTER CLOTH KEY IN 6"-9"; RECOMMENDED FOR ENTIRE PERIMETER



PLAN VIEW

PIPE OUTLET TO WELL DEFINED CHANNEL

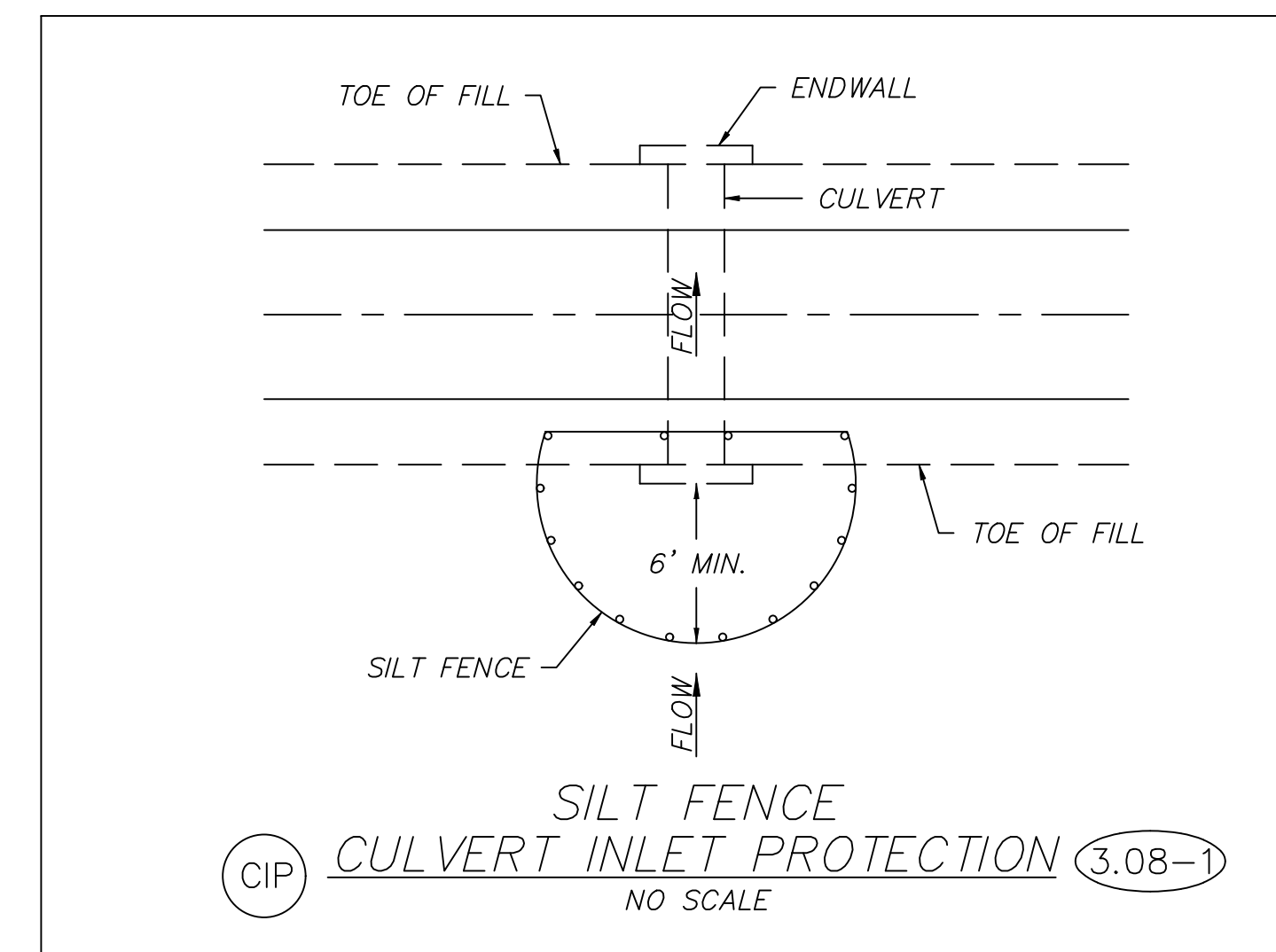


SECTION A-A FILTER CLOTH KEY IN 6"-9"; RECOMMENDED FOR ENTIRE PERIMETER

- NOTES: 1. APRON LINING MAY BE RIPRAP, GROUDED RIPRAP, GABION BASKET, OR CONCRETE.
2. L_a IS THE LENGTH OF THE RIPRAP APRON AS CALCULATED USING PLATES 3.18-3 AND 3.18-4.
3. $d = 1.5$ TIMES THE MAXIMUM STONE DIAMETER, BUT NOT LESS THAN 6 INCHES.

Source: Va. DSWC

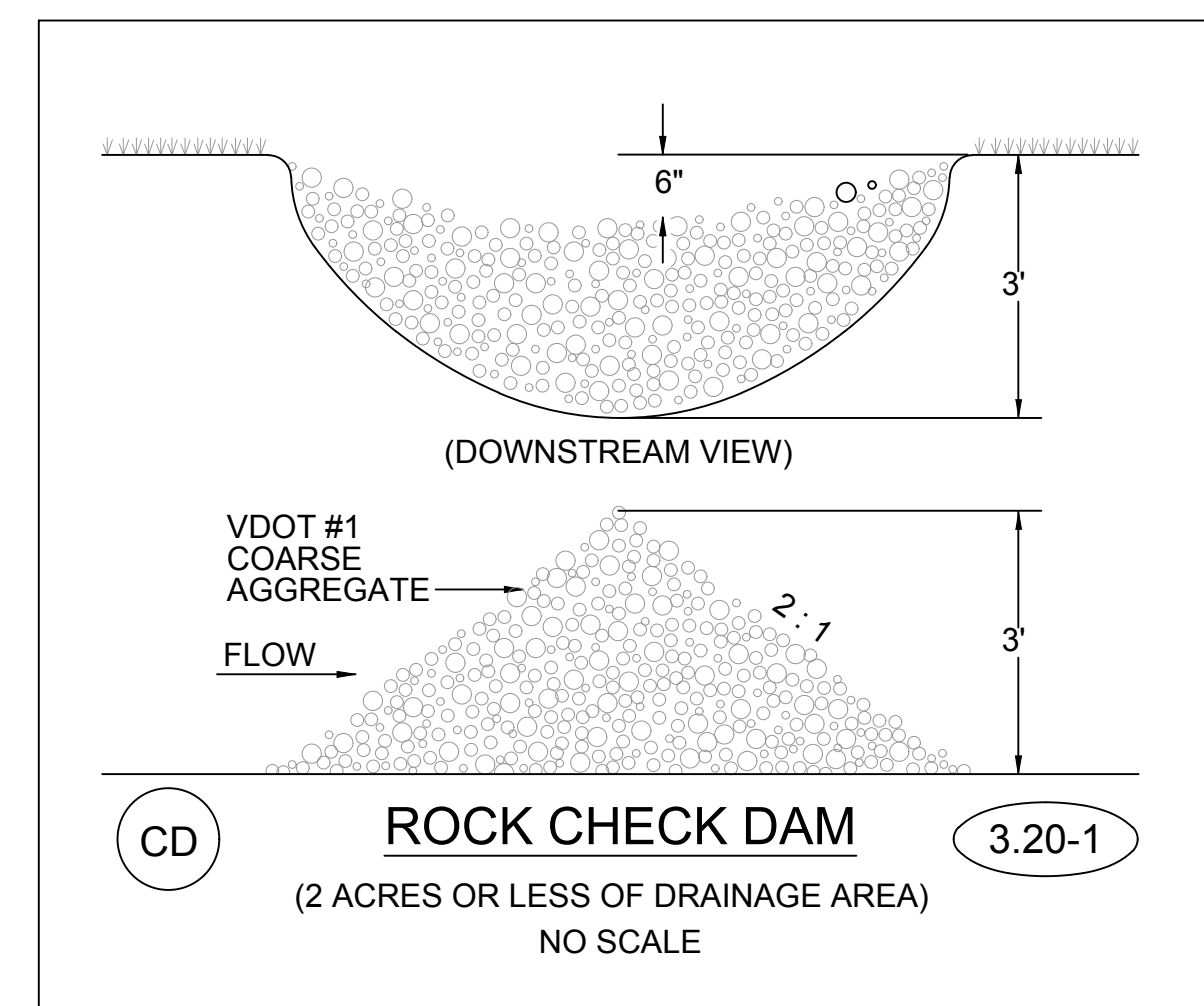
Plate 3.18-1



SILT FENCE CULVERT INLET PROTECTION
NO SCALE

(CIP)

3.08-1



(CD)

ROCK CHECK DAM

(2 ACRES OR LESS OF DRAINAGE AREA)
NO SCALE

3.20-1

YOUR VISION ACHIEVED THROUGH OURS.

THIS DRAWING PREPARED AT THE OFFICE OF THE ENGINEER, 1001 Boulevard Parkway, Richmond, VA 23225. TEL 804.200.6500 FAX 804.560.1016 www.timmons.com

TIMMONS GROUP Technology
 Site Development | Residential | Infrastructure
EAST RAMP 3 ACCESS ROAD
 HENRICO COUNTY - VIRGINIA
EROSION & SEDIMENT CONTROL NOTES & DETAILS

REVISION DESCRIPTION	DATE	DATE	DRAWN BY	DESIGNED BY	CHECKED BY	SCALE
		6/30/2019	KPO	KPO	CMK	N.T.S.

JOB NO. 40930.001
 SHEET NO. 02D(04)