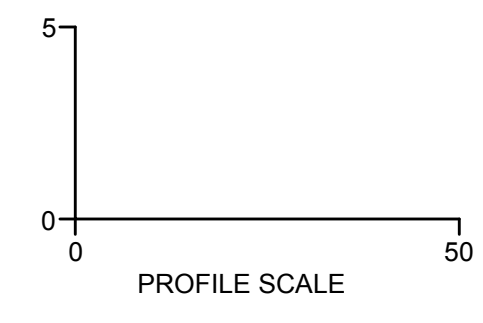
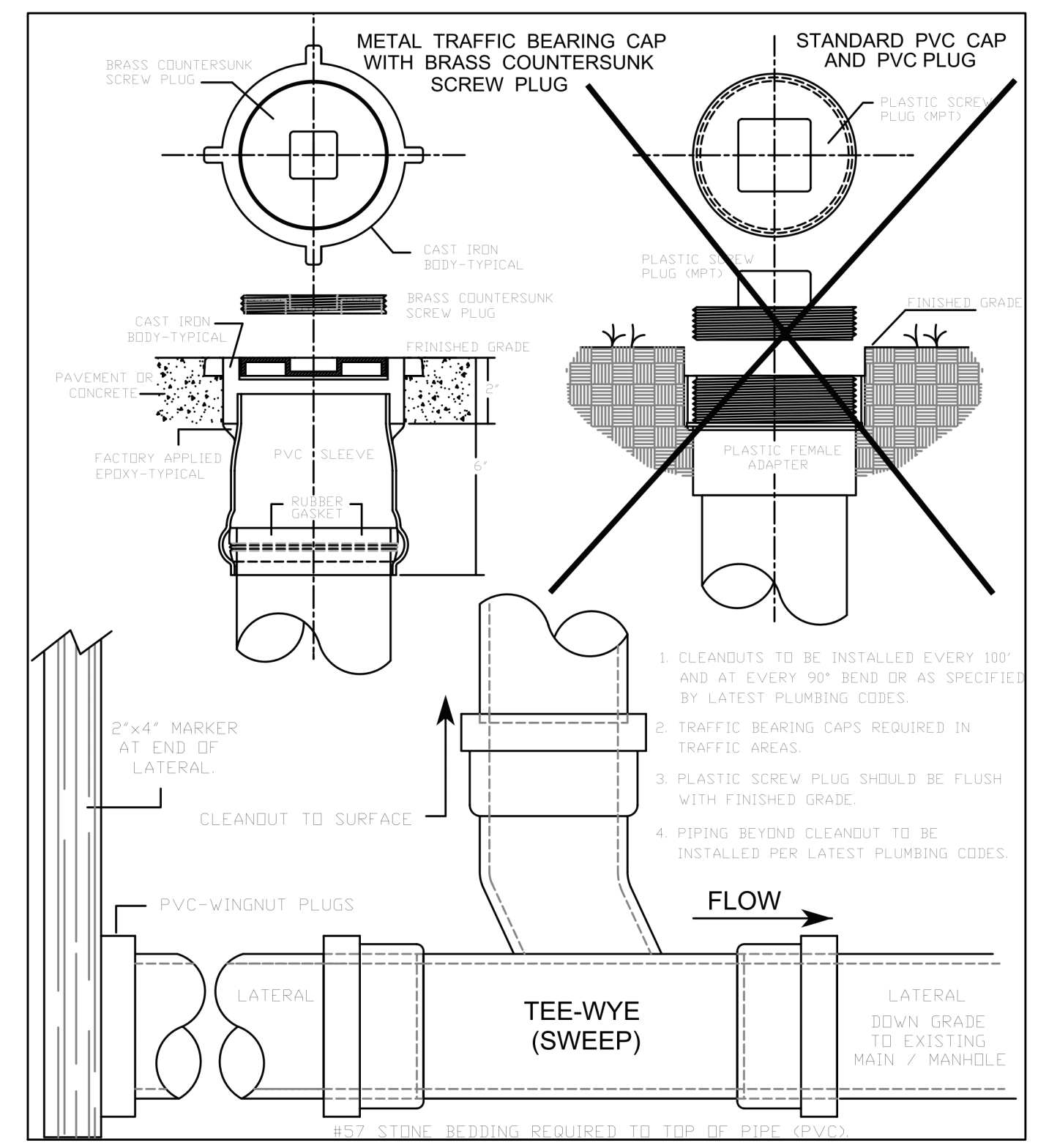
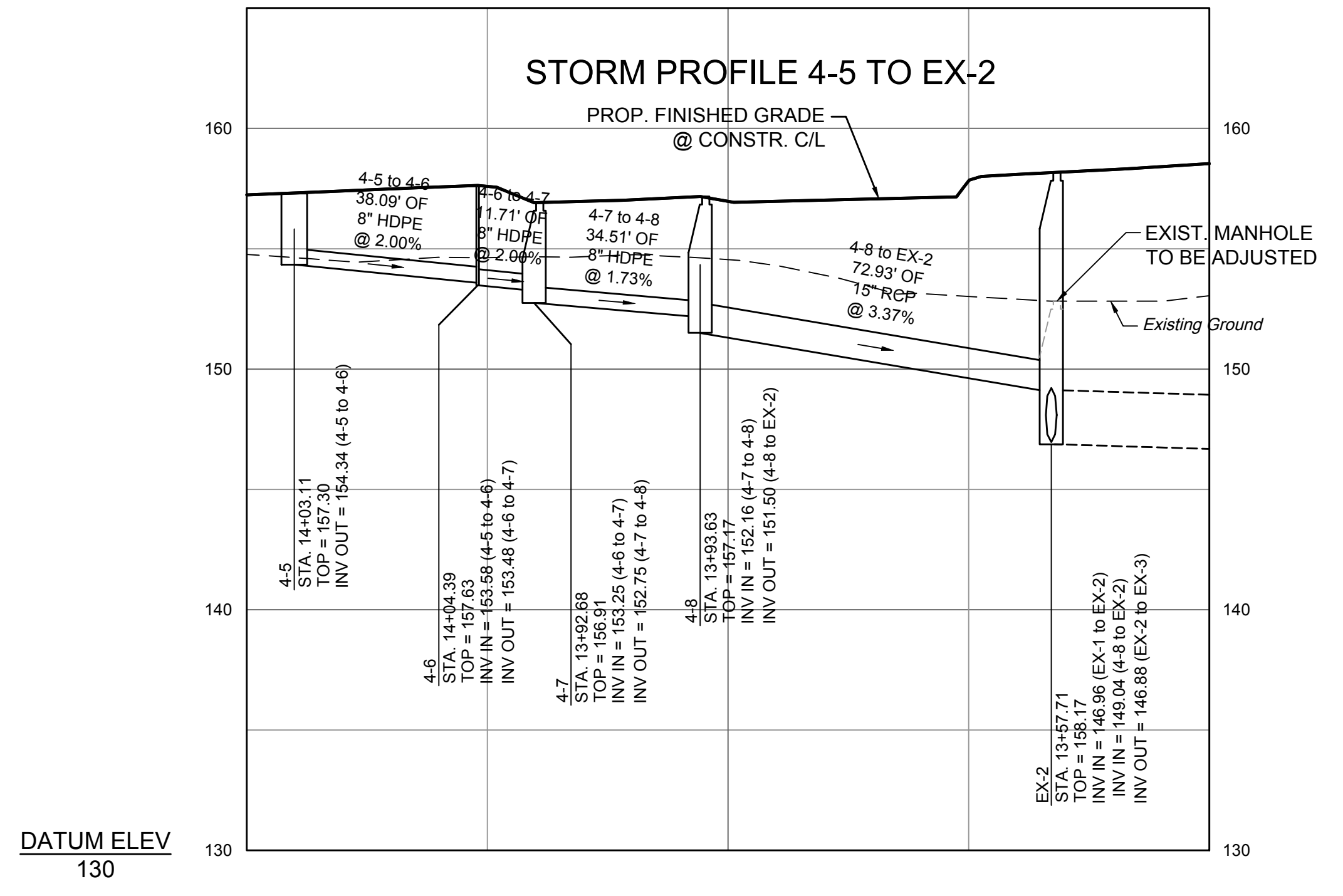


- 4-5 STD. DI-7 REQ'D. (GRATE TYPE B)
INV. = 154.34', H = 2.96'
- 4-5-4-6 39' - 8" HDPE PIPE REQ'D.
INV.(IN) = 154.34', INV.(OUT) = 153.58'
COVER = 2' & VAR.
- 4-6 1 - 8" TRAFFIC RATED CLEANOUT REQ'D.
INV. = 153.48', H = 4.15'
SEE DETAIL BELOW
- 4-6 CONTRACTOR IS RESPONSIBLE FOR CLEANOUT AND ALL APPURTENANCES, BENDS, TEES, FITTINGS, AND ADDITIONAL PIPE REQ'D. TO INSTALL CLEANOUT AND ACHIEVE BEND IN PIPE.
- 4-6-4-7 12' - 8" HDPE PIPE REQ'D.
INV.(IN) = 153.48', INV.(OUT) = 153.25'
COVER = 3' & VAR.
- 4-7 4.2 L.F. - STD. MH-1 OR 2 REQ'D.
INV. = 152.75, STD. IS-1 REQ'D., STD. ST-1 REQ'D.
STD. MH-1 FRAME & COVER REQ'D.
- 4-7-4-8 35' - 8" HDPE PIPE REQ'D.
INV.(IN) = 152.75', INV.(OUT) = 152.16'
COVER = 3' & VAR.
- 4-8 5.7 L.F. - STD. MH-1 OR 2 REQ'D.
INV. = 151.50, STD. IS-1 REQ'D., STD. ST-1 REQ'D.
STD. MH-1 FRAME & COVER REQ'D.
- 4-8-EX-2 73' - 15" STORM SEWER PIPE REQ'D.
INV.(IN) = 151.50', INV.(OUT) = 149.04'
COVER = 4' & VAR.
- EX-2 ADJUST EXIST. MANHOLE TO GRADE.
CONTRACTOR SHALL ADD CONCRETE RISERS AS NECESSARY AND PERFORM ANY MODIFICATIONS, REPAIRS, OR OTHER WORK REQUIRED IN ORDER TO RAISE TOP TO GRADE AND ESTABLISH NEW PIPE CONNECTIONS.
STD. MH-1 FRAME & COVER REQ'D.



I:\2019\0530-REC_Alpport001_205-DOH_Access_Road\DWG\Sheet\CD\0930.001_205C-05.dwg | Plotted on 6/26/2019 11:38 AM | by Kevin O'Meara

YOUR VISION ACHIEVED THROUGH OURS.	
DATE	6/30/2019
DRAWN BY	KPO
DESIGNED BY	KPO
CHECKED BY	CMK
SCALE	1"=25'

Site Development | Residential | Infrastructure | Technology

EAST RAMP 3 ACCESS ROAD
HENRICO COUNTY - VIRGINIA

STORM SEWER PROFILES AND DRAINAGE DESCRIPTIONS

JOB NO.	40930.001
SHEET NO.	05B

These plans and associated documents are the exclusive property of TIMMONS GROUP and may not be reproduced in whole or in part and shall not be used for any purpose whatsoever, inclusive, but not limited to construction, bidding, and/or construction safety, without the express written consent of TIMMONS GROUP.