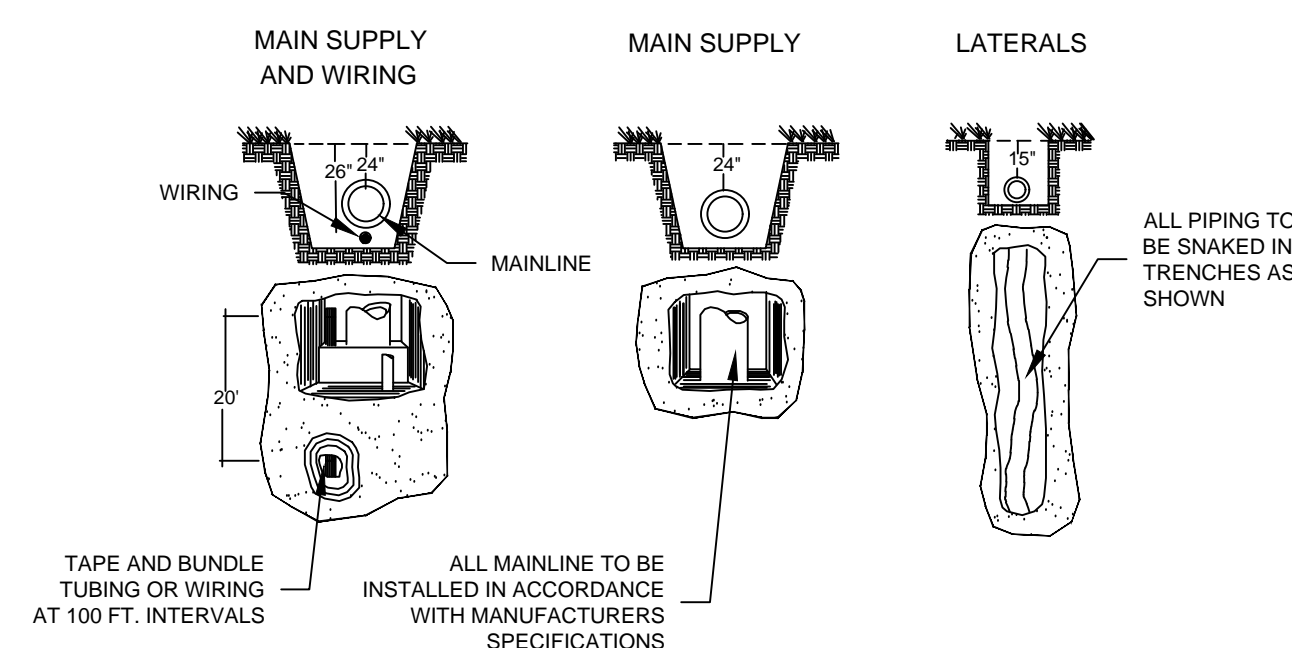
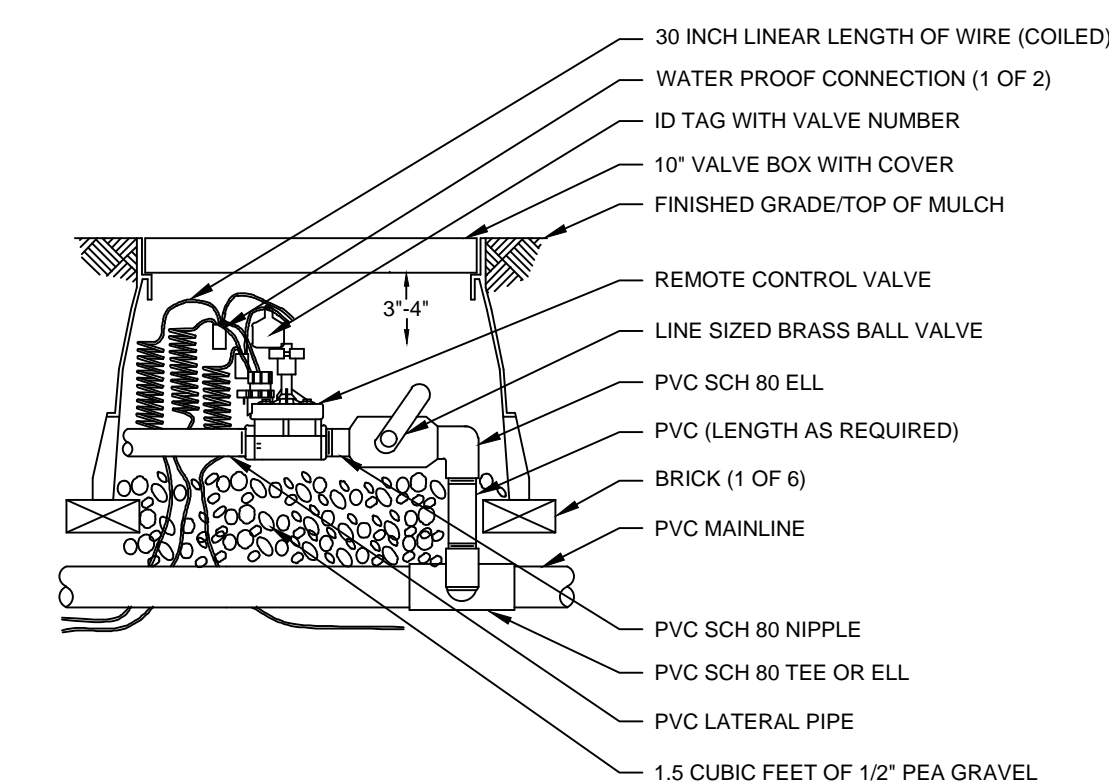


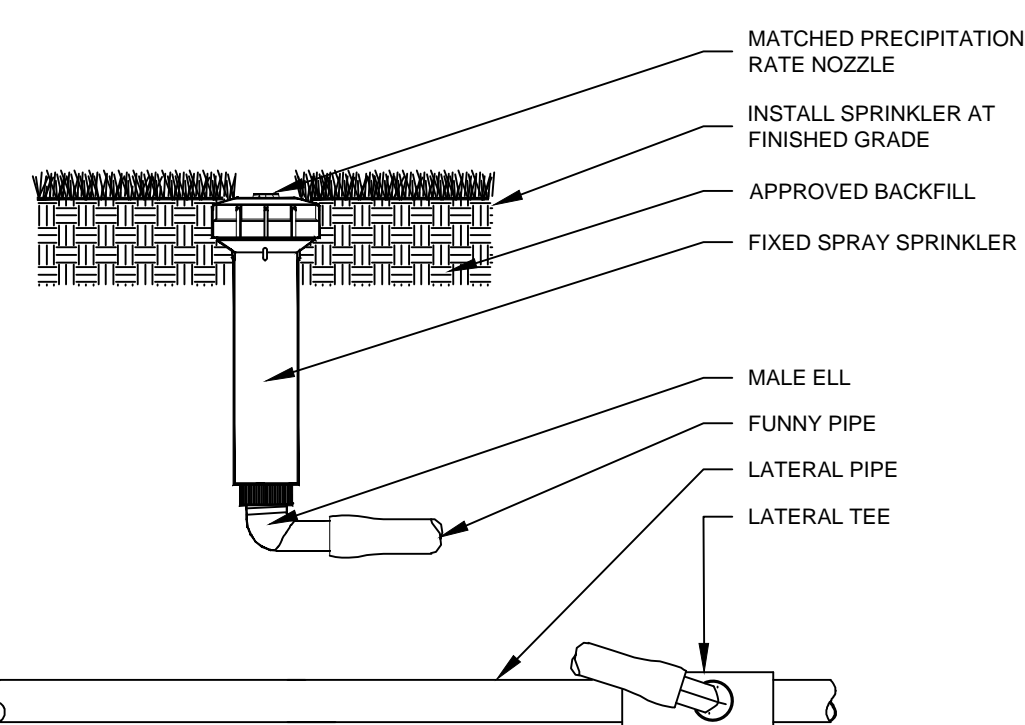
1 TORO SENTINEL
PEDESTAL-MOUNT CONTROLLER
SCALE: NTS



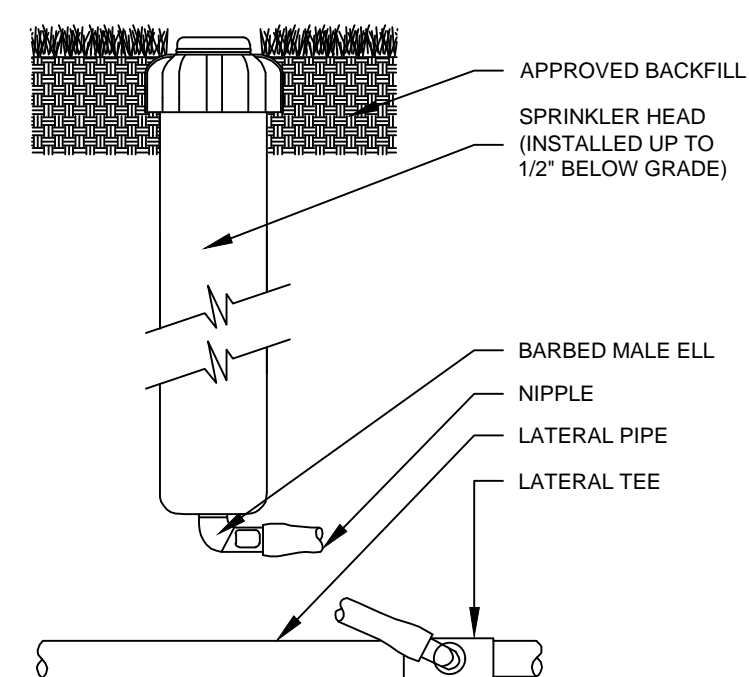
2 TYPICAL TRENCHING DETAILS
SCALE: NTS



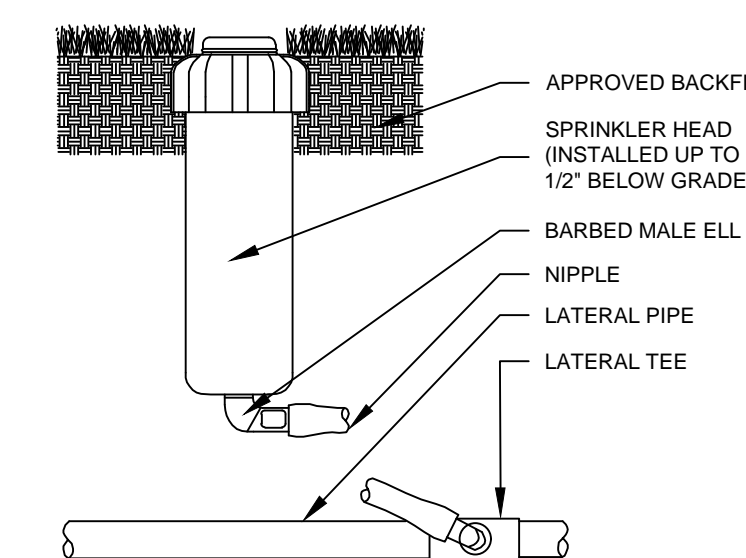
3 ELECTRIC REMOTE CONTROL VALVE
WITH BRASS BALL VALVE
SCALE: NTS



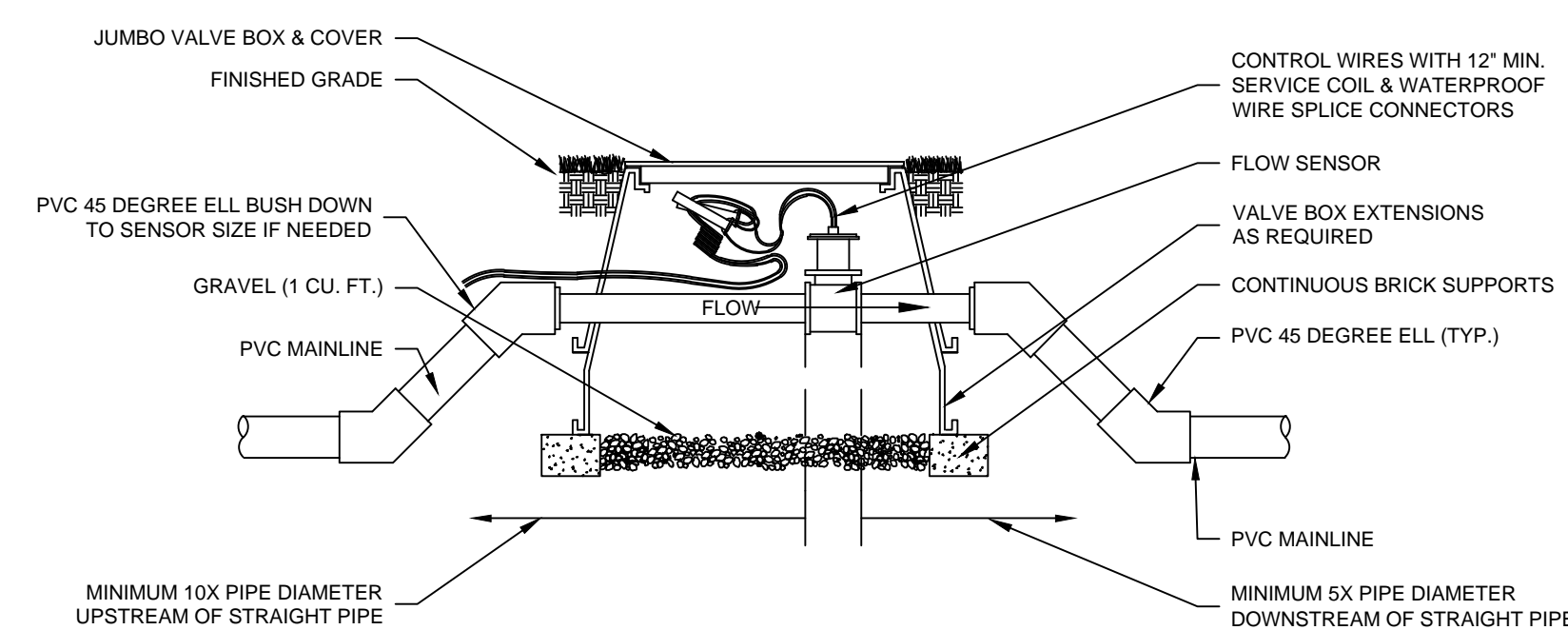
4 4" FIXED SPRAY SPRINKLER
SCALE: NTS



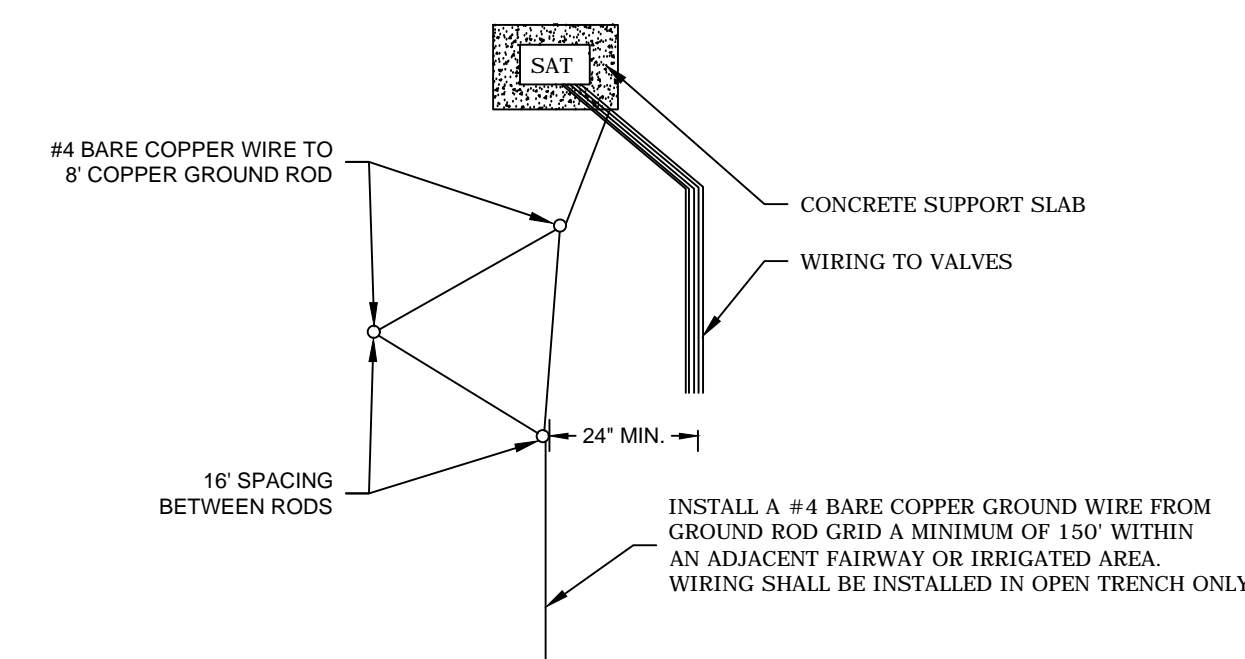
5 12" SPRINKLER W/ FUNNY PIPE
SCALE: NTS



6 5" ROTOR W/ FUNNY PIPE
SCALE: NTS



7 FLOW SENSOR
SCALE: NTS



8 GROUND WIRE INSTALLATION W/ CONTROLLER
SCALE: NTS



RICHMOND INTERNATIONAL AIRPORT
EAST RAMP 3 ACCESS ROAD
IRRIGATION DRAWING
DETAIL PLAN

REVISIONS:

#	DATE:	DESCRIPTION:
-	----	-----
-	----	-----
-	----	-----
-	----	-----
-	----	-----

DATE: 10/30/18
DRAWN BY: KR
CHECKED BY: BR
SCALE: N/A

IR2.0